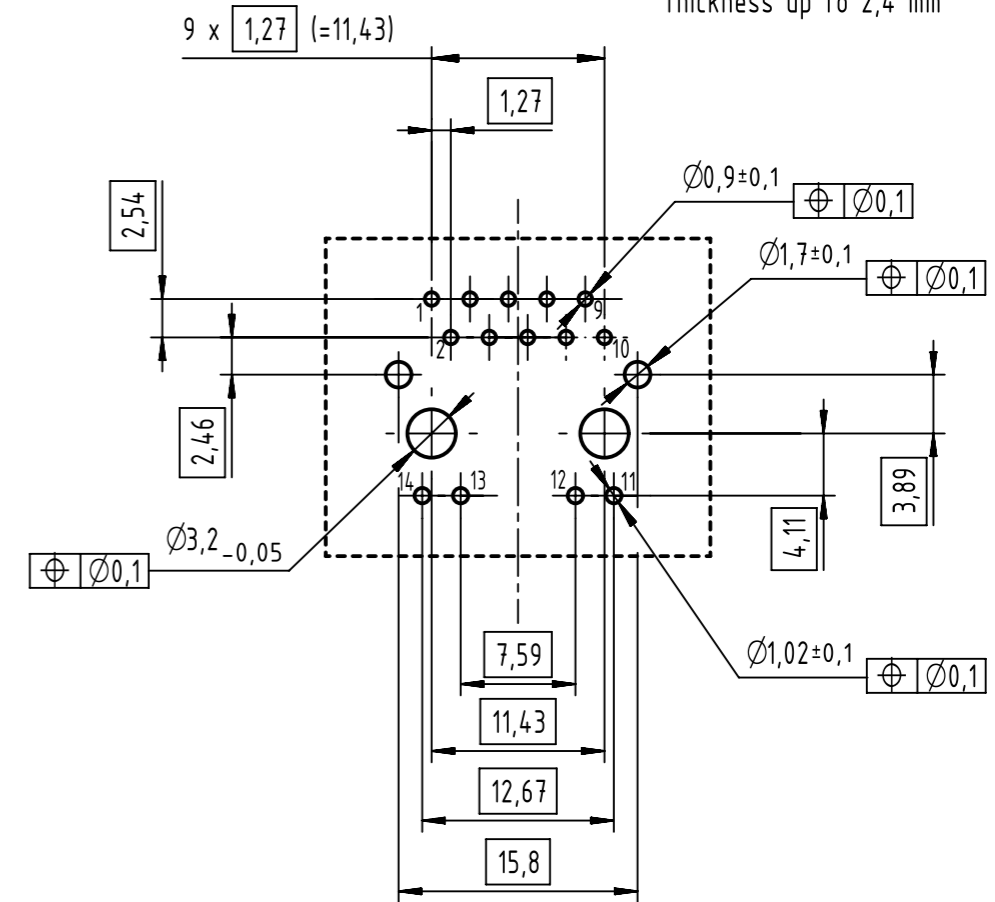
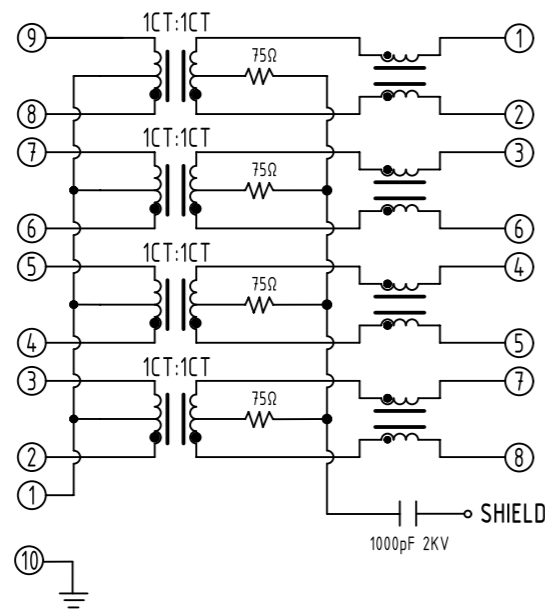


PC-Board layout
view component side
thickness up to 2,4 mm



Schematic



LED DISPLAY	
LED 2	LED 1
YELLOW 14 → 13	GREEN 12 → 11

RJ45 Connector

PC Board Connections

	All rights reserved Department EL PD	All Dimensions in mm Original Size DIN A3	Scale 2:1	Free size tol.	Ref. Sub.
	HARTING Electronics GmbH D-32339 Espelkamp	Created by FARCASIU	Inspected by POPESCU	Standardisation HOFFMANN	Date 2018-09-13
Title RJ1 RJ45 jack 1 Gbit LED gn/ye		Type TB		Number 09455511143	State Final Release
Doc-Key / ECM-Nr. 100803311/UGD/000/B 500000139984					Rev. B
					Page 1/1